

# TX-3535L3FC120-OGFEND34-01

## PRODUCT SPECIFICATION

**Features:**

- ◆
- ◆
- ◆
- ◆

**Chip Material:**

- ◆

**Emitting Color:**

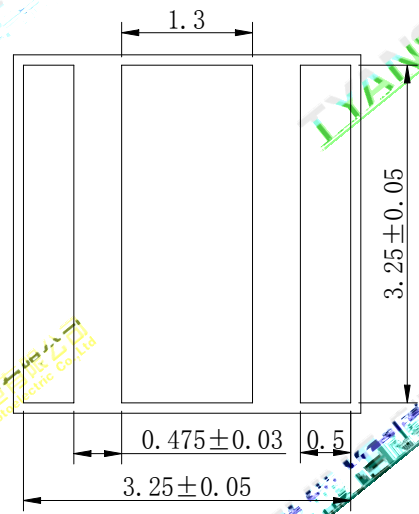
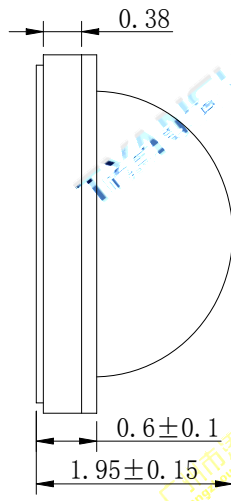
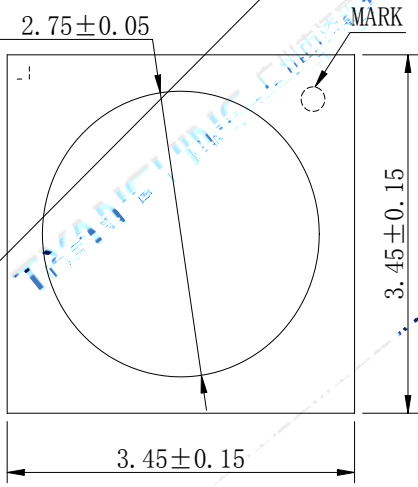
- ◆

**Applications:**

- ◆
- ◆
- ◆

--	--	--	--	--	--

Package Dimensions:



--	--	--	--	--	--

**Absolute Maximum Ratings (Tc=25°C)**

Parameter	Symbol	Ratings	Unit
			°C
			°C

**Notes:**

--	--	--	--	--	--

**Electrical Optical Characteristics (Tc=25°C)**

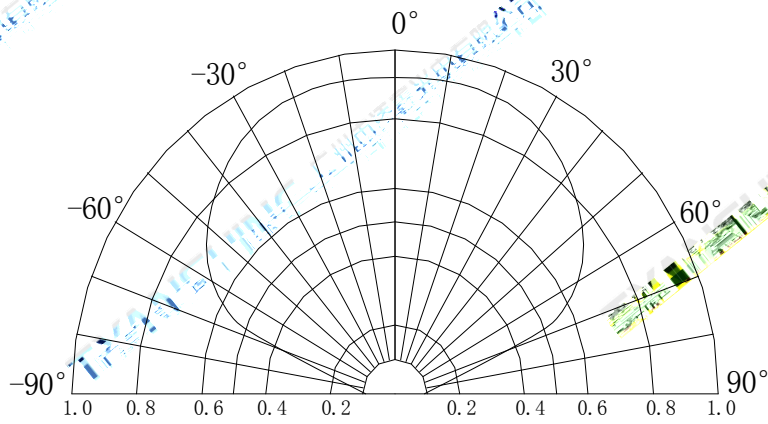
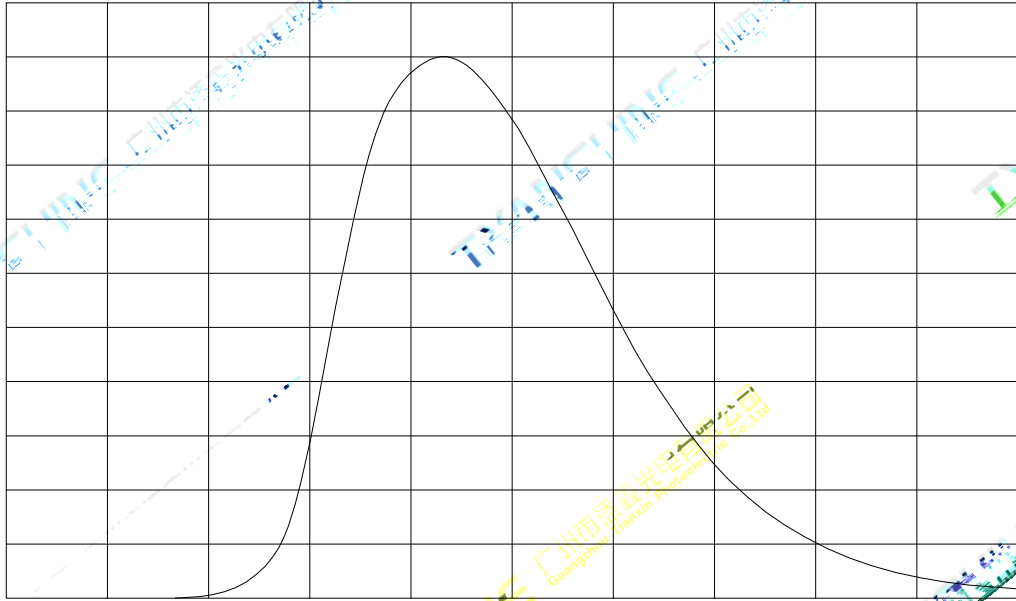
Parameter	Symbol	Condition	Min.	Typ.	Max.	Units
	Δ					
%						
	Δ					°C

**Notes:**

--	--	--	--	--	--	--







Notes:

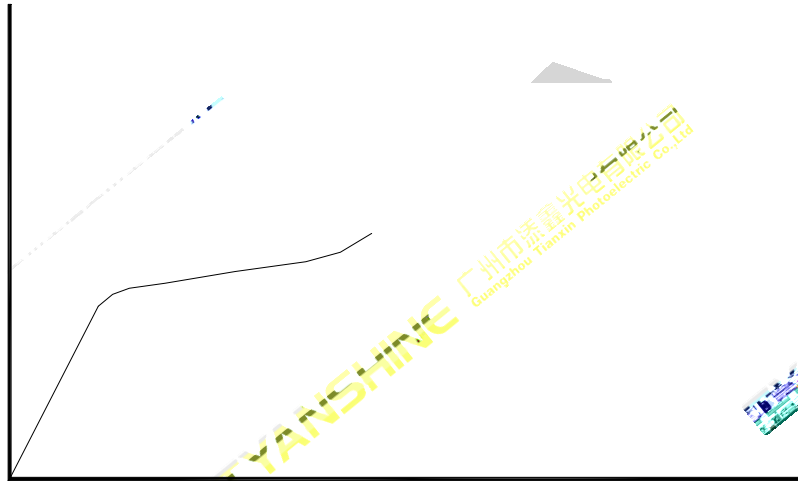
--	--	--	--	--	--

# Usage Precautions

## Storage Environment Condition

℃    ℃    ℉    ℉

## Soldering Condition

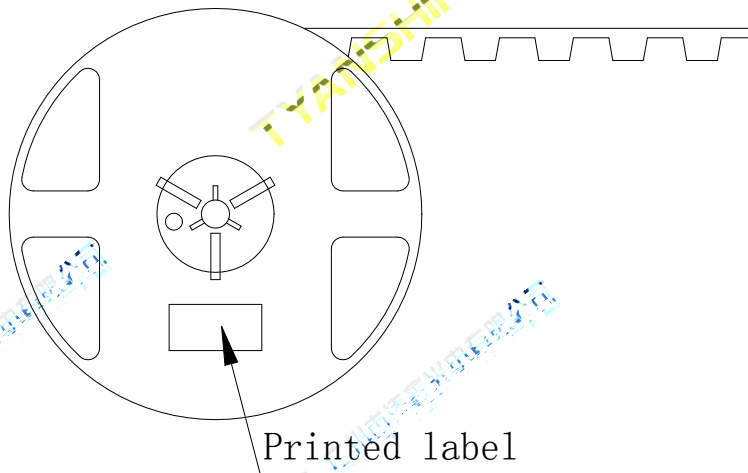
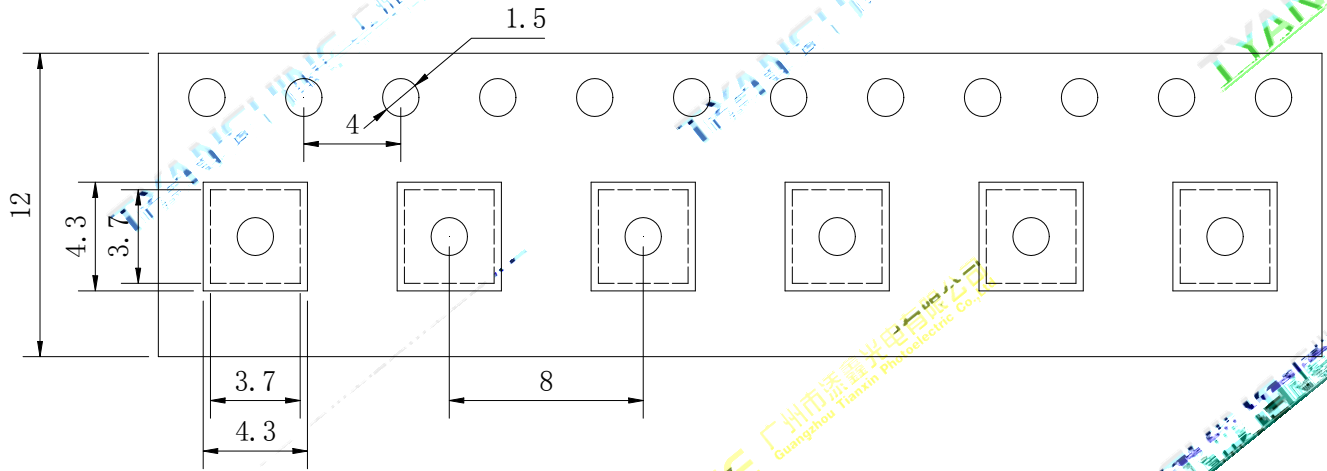


--	--	--	--	--	--



# Dimensions For Cannulation And Packaging

Quantity:1000 PCS



Printed label

Notes:

--	--	--	--	--	--