

**TX-B3A140-002G**

**PRODUCT SPECIFICATION**

Approved by:

Checked by:

Prepared by:

<b>Part No.</b>	TX-B3A140-002G	<b>Spec No.</b>	WKF-BA3005	<b>Page</b>	1 of 9
-----------------	----------------	-----------------	------------	-------------	--------

TYANSHINE 广州市天彦光电有限公司  
Guangzhou Tianyan Photoelectric Co., Ltd.

TYANSHINE 广州市天彦光电有限公司  
Guangzhou Tianyan Photoelectric Co., Ltd.

**Notes:**

1. All dimensions are in millimeters (inches).
2. Tolerance is  $\pm 0.25$  mm (0.01") unless otherwise noted.

Part NO.	Lens Color	Emitting Color
TX-B3A140-002G	Water Clear	Blue

**Absolute Maximum Ratings at Ta=25 "**

Parameter	Symbol	MAX.	Unit
LED Junction Temperature	T <sub>j</sub>	150	"
Power Dissipation	P <sub>D</sub>	2660	mW
Peak Forward Current (1/10 Duty Cycle, 0.1ms Pulse Width)	I <sub>FP</sub>	1000	mA
Continuous Forward Current	I <sub>F</sub>	700	mA
Reverse Voltage	V <sub>R</sub>	5	V
Electrostatic Discharge Threshold (ESD)	ESD	2000	V
Operating Temperature Range	T <sub>opr</sub>	-30 to +70	"
Storage Temperature Range	T <sub>spr</sub>	-40 to +100	

**Notes:**

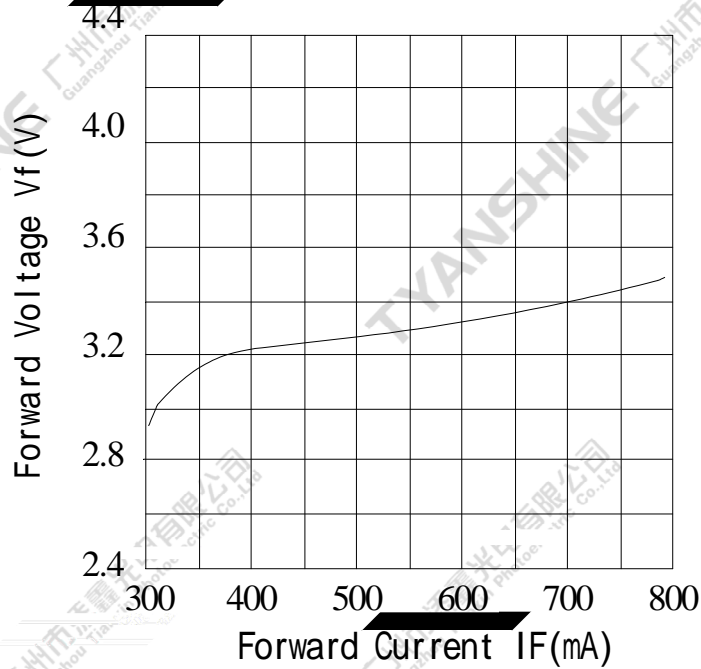
1. Specifications are subject to change without notice.
2. The data on this specification is for reference only and the actual data is in accordance with the acknowledgment.
3. Precautions for ESD:  
 STATIC SHIELD Electricity and surge damages the LED. It is recommended to use a wrist band or anti-electrostatic glove when handling the LED. All devices, equipment and machinery must be properly grounded.



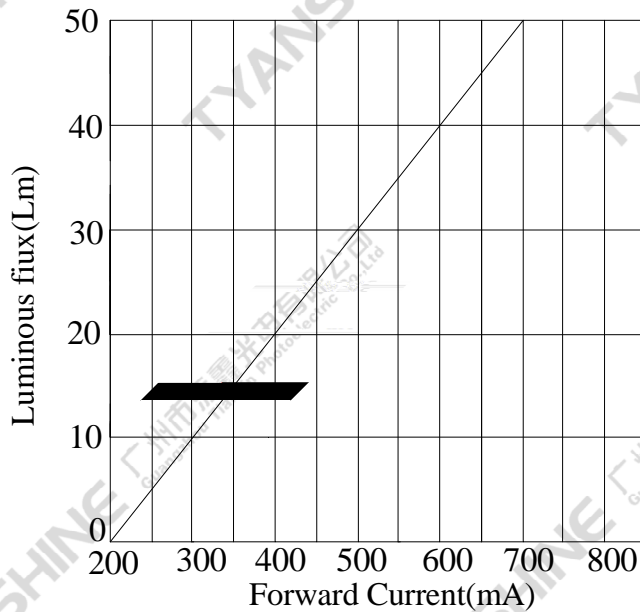
## Typical Electrical / Optical Characteristics Curves

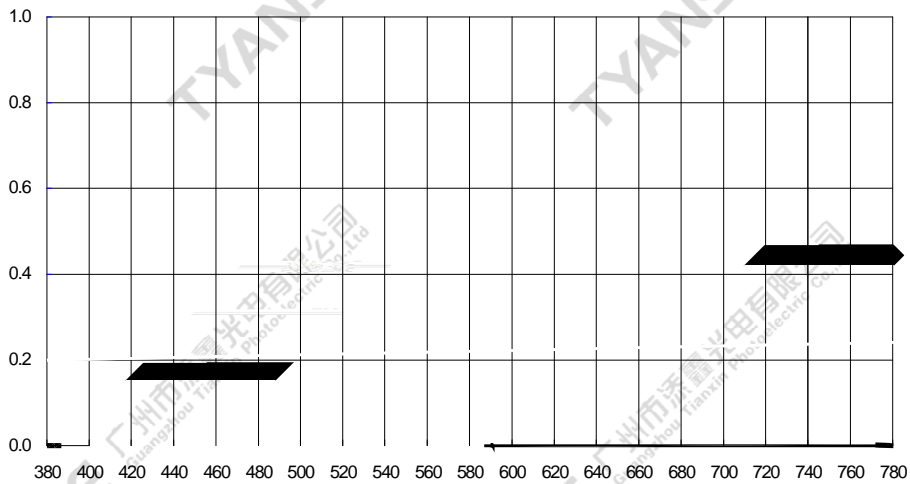
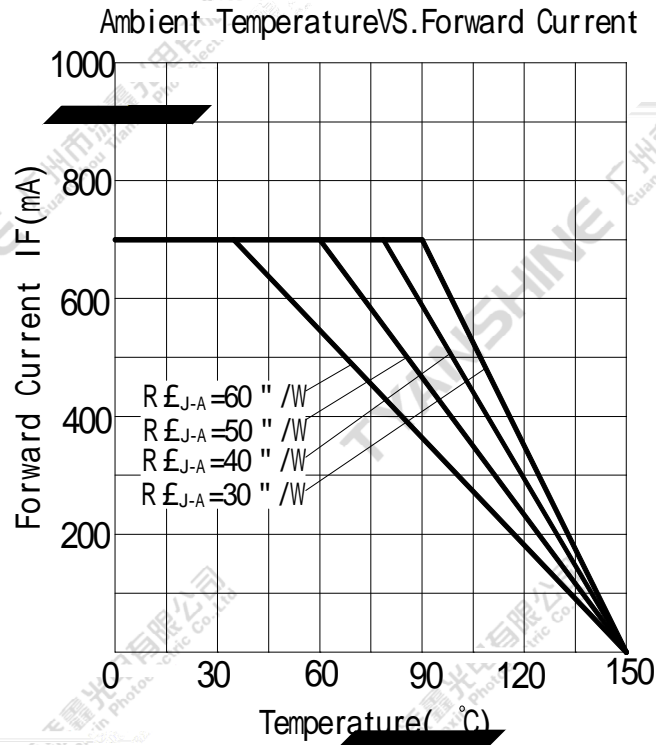
(25 " Ambient Temperature Unless Otherwise Noted)

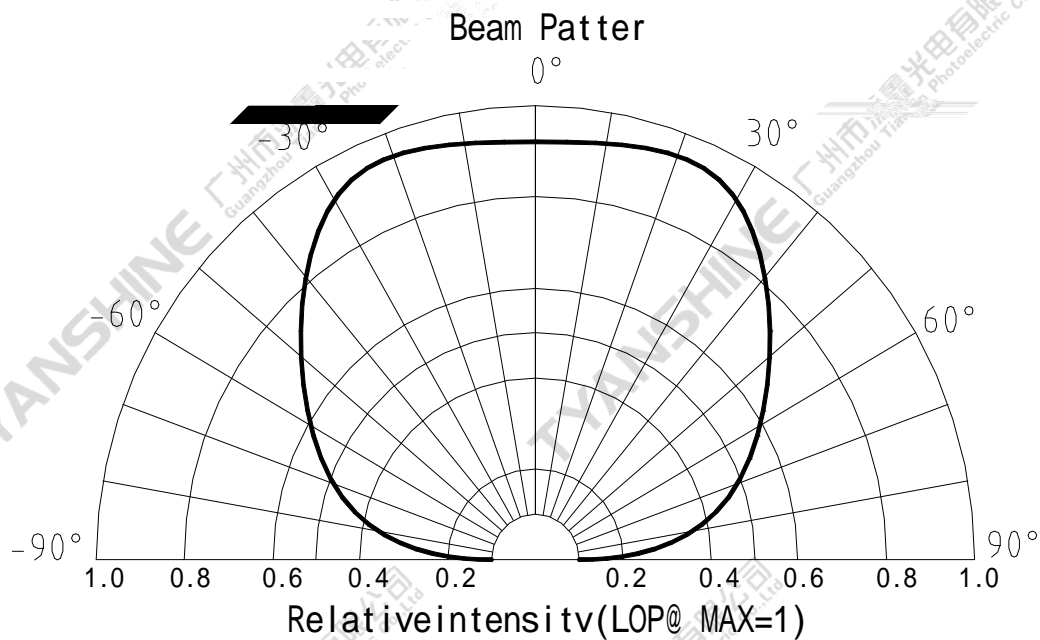
Forward Current VS.Forward Voltage



Forward Current VS.Luminous flux

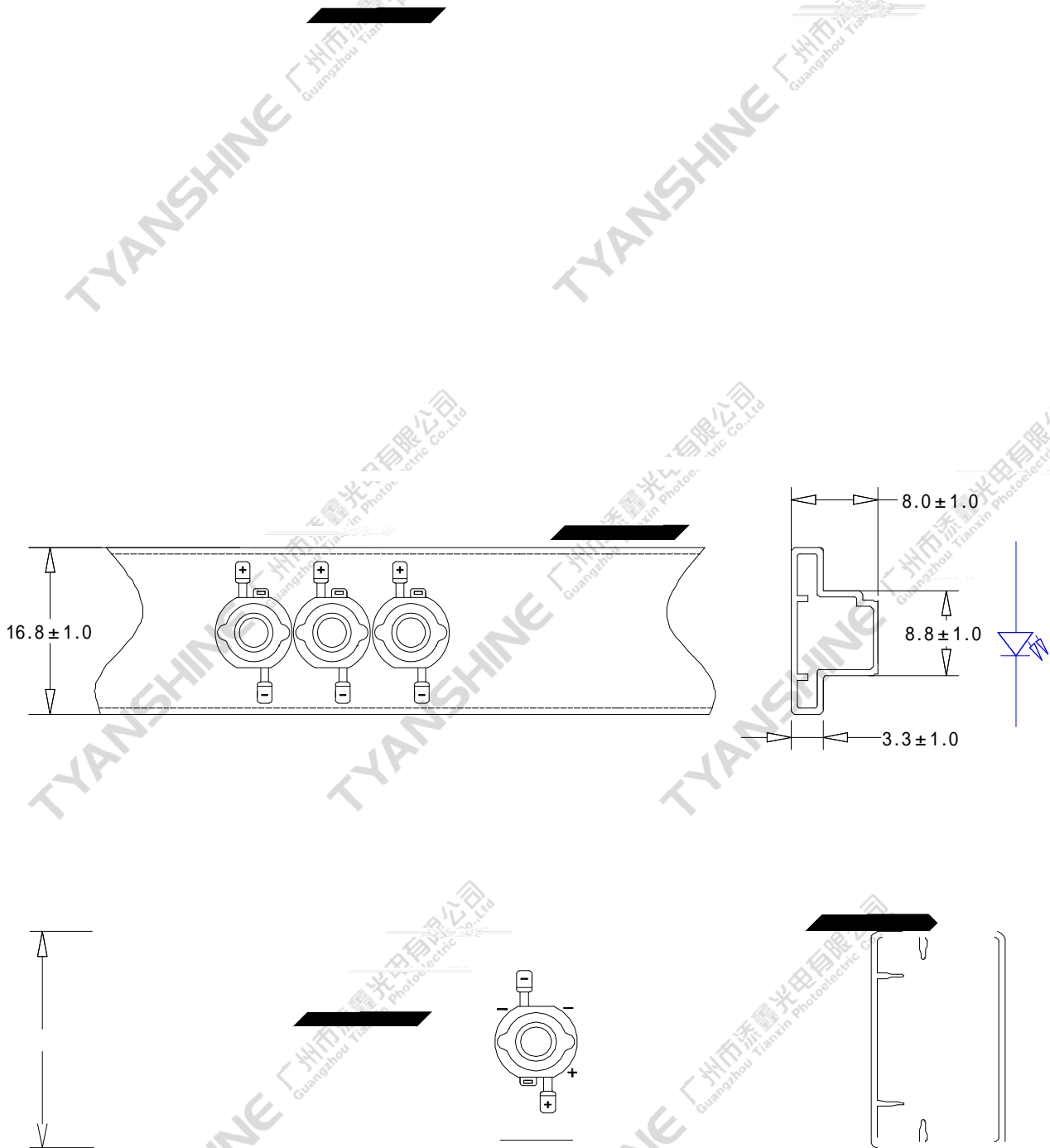






**Notes:**

1. 1/2 is the off axis angle from lamp centerline where the luminous intensity is 1/2 of the peak value.
2. View angle tolerance is  $\pm 5^\circ$ .



<b>Part No.</b>	TX-B3A140-002G	<b>Spec No.</b>	WKF-BA3005	<b>Page</b>	8 of 9
-----------------	----------------	-----------------	------------	-------------	--------



WE 广州市天鑫光电有限公司  
Guangzhou Tianxin Photoelectric Co., Ltd.

TYANSHINE 广州市天鑫光电有限公司  
Guangzhou Tianxin Photoelectric Co., Ltd.

TYANSHINE 广州市天鑫光电有限公司  
Guangzhou Tianxin Photoelectric Co., Ltd.

TYANSHINE 广州市天鑫光电有限公司  
Guangzhou Tianxin Photoelectric Co., Ltd.