



TYANSHINE 广州市添鑫光电有限公司
Guangzhou Tianxin Photoelectric Co.,Ltd

TYANSHINE 广州市添鑫光电有限公司
Guangzhou Tianxin Photoelectric Co.,Ltd

TYANSHINE 广州市添鑫光电有限公司
Guangzhou Tianxin Photoelectric Co.,Ltd

TYANSHINE 广州市添鑫光电有限公司
Guangzhou Tianxin Photoelectric Co.,Ltd

TYANSHINE 广州市添鑫光电有限公司
Guangzhou Tianxin Photoelectric Co.,Ltd

TYANSHINE 广州市添鑫光电有限公司
Guangzhou Tianxin Photoelectric Co.,Ltd

限公司
CO.,LTD

Excellence in high power LED chip design of 2500 A.

High luminous efficiency.

Non-UV.

Excellent thermal stability, fully certified and tested in real life.

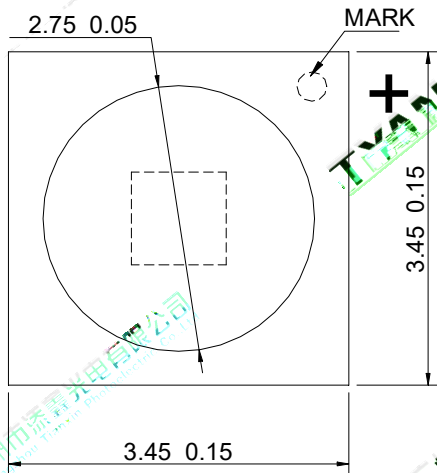
GaN

Blue

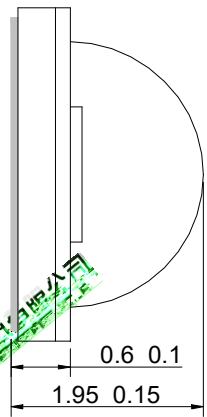
Amalgam lighting

Amalgam lighting

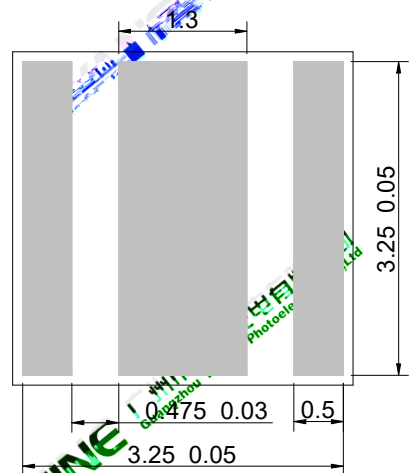
General lighting



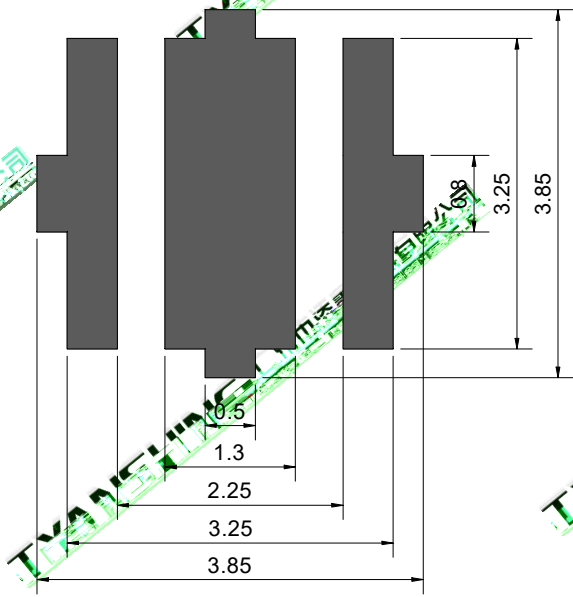
Top view



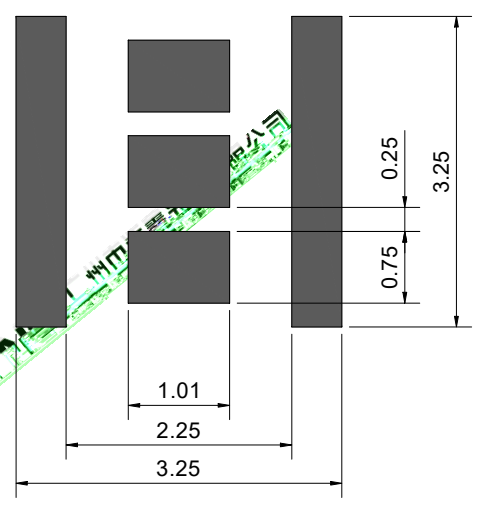
Side view



Bottom view



Recessed side view



Recessed side view

1. All dimensions are in millimeters.
2. Tolerance is indicated as ± 0.1 .

| | | | |
|---|----------------|---------------|---|
| | | | |
| Forward Current | IF | 2500 | A |
| Reverse Voltage | VR | Not specified | V |
| Power Dissipation | P _D | 9.75 | W |
| Junction Temperature | T _j | 150 | |
| Electrostatic Discharge Threshold (ESD) | ESD | ESD level | V |
| Storage Temperature | T _g | -40 +70 | |
| Operating Temperature | T | -40 +85 | |

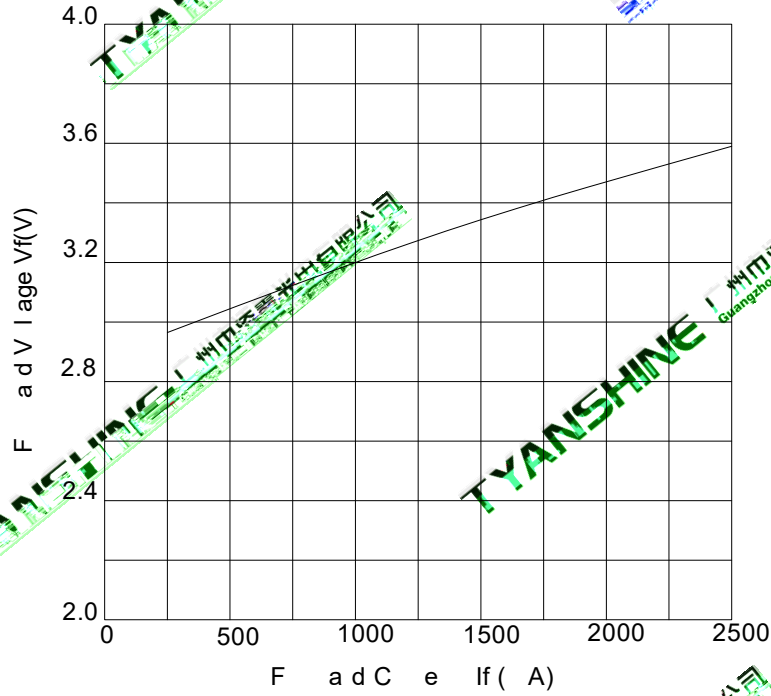
1. Specific application conditions.
2. The data sheet specifies the failure rate. The user should refer to the data sheet for the failure rate.
3. Precautions for ESD:
STATIC SHIELD Electrostatic discharge protection for LED. It is recommended to use anti-static bags for storage and handling of LEDs. All devices should be stored in anti-static bags.

| | | | | | | |
|---|------------------|----|-----|-----|-----|-----|
| | | | | | | |
| L i F l | | B1 | 45 | 50 | 55 | I |
| | | B2 | 87 | 94 | 100 | |
| F a d V l a g e | V _f | B | 2.8 | 3.2 | 3.6 | V |
| Vie i g A g l e a 50 I V | 2 1/2 | B | | 120 | | Deg |
| Peak E i i Wa e l e g h | | B1 | 444 | 448 | | |
| | | B2 | 461 | 466 | 471 | |
| D i a Wa e l e g h | d | B1 | 448 | 452 | 456 | |
| | | B2 | 465 | 470 | 475 | |
| Vie i g A g l e a 50 I V | 2 1/2 | B | 15 | 19 | 24 | |
| Re e e C e | I _R | B | | | | A |
| The a l Re i a c e J c i C a e | R _{J-C} | B | | 4.9 | | K/W |
| Te e a e C e f f i c i e n t V l a g e | V F/T | B | | -2 | | V/ |

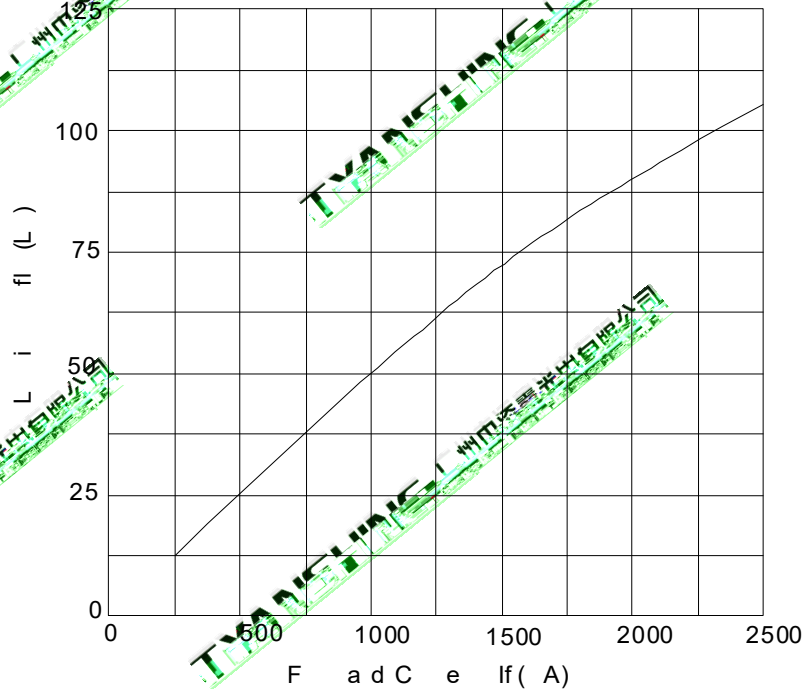
1. L i i e i i e a e d i h a l i g h e a d f i l e c o l a i h a a i a e h e C I E e e - e e c e .
2. 1/2 i h e f f - a i a g l e a h i c h h e l i i e i i h a l f h e a i a l l i i e i .
3. L i f l e a e e l e a c e : 15% .
4. F a d l a g e e a e e l e a c e : 0.15V .

(25 A bie Te ea eU le Ohe i eN ed)

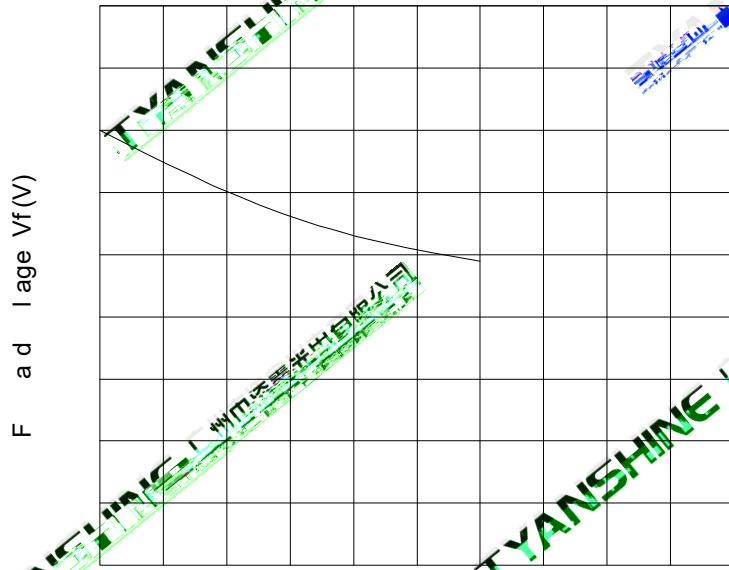
F adC e VS.F adV lage



F adC e VS.L i f

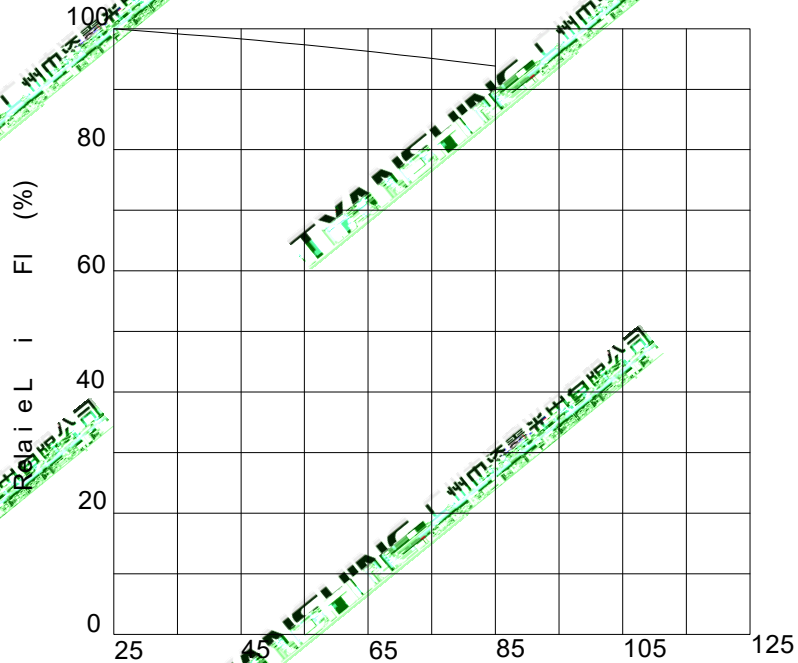


Te e a e VS. F a d V l a g e (IF=1000 A)



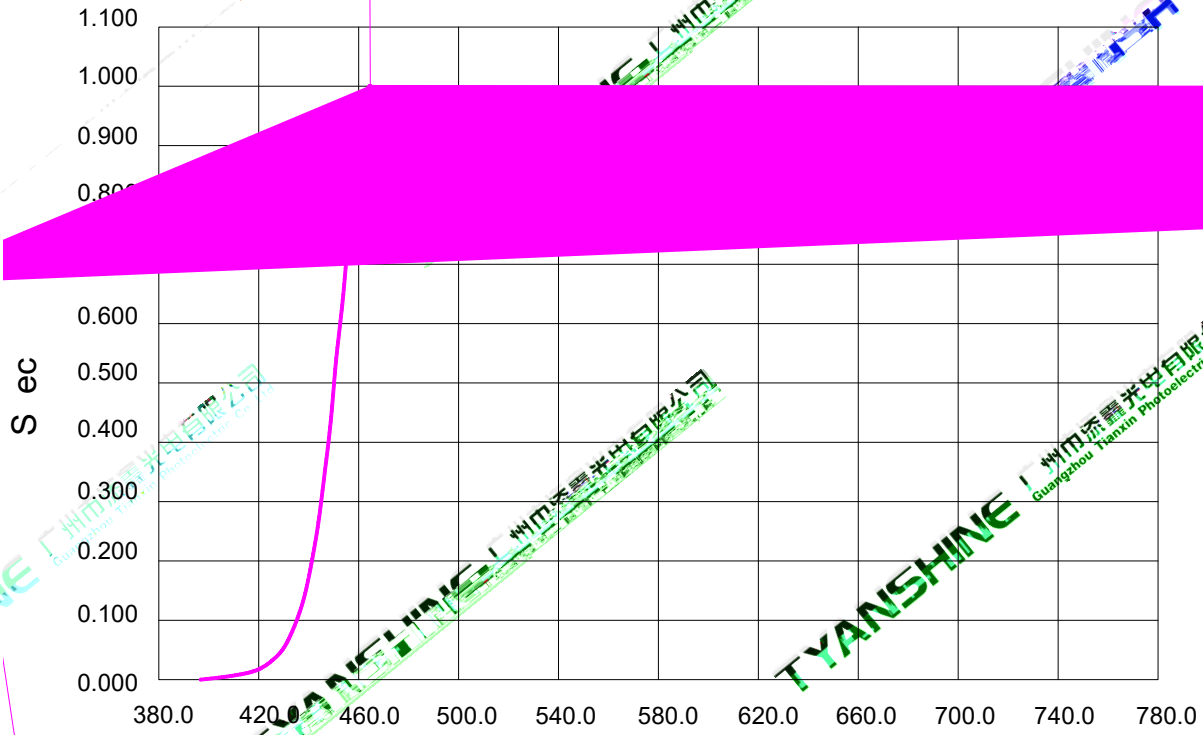
Te e a e ()

Te e a e VS. R e l a i e L i F l (IF=1000 A)



Te e a e ()

Relative Spectral Distribution



Temperature: 5 30 (41 86)

Humidity: 60% RH Max.

Use the condition in the figure.

