



CANEC24021252906

2024 10 09

1 7

15

LED

SGS

GZP24-031628

2024 09 24

2024 09 24 ~ 2024 09 29

| | | | |
|--------|------------|--------|----------------|
| RoHS | 2011/65/EU | II | (EU) 2015/863- |
| (DEHP) | (PBB) | (PBDE) | (2-) |
| (DIBP) | (BBP) | (DBP) | |

钟臻

Jany Zhong

scan to see the report



| | | SGS ID | |
|-----|-----|-------------------------|---|
| SN1 | A13 | CAN24-0212529-0001.C013 | , |
| SN2 | A14 | CAN24-0212529-0001.C014 | , |

- (1) 1 mg/kg = 1 ppm = 0.0001%
- (2) MDL=
- (3) ND = (< MDL)
- (4) "-" =

| RoHS | 2011/65/EU | II | (EU) 2015/863- | (PBB) |
|--------|------------|----|----------------|-------|
| (PBDE) | (2- |) | (DEHP) | (BBP) |
| (DBP) | (DIBP) | | | |

IEC 62321-4:2013+AMD1:2017 IEC 62321-5:2013 IEC 62321-7-2:2017 IEC 62321-12:2023 ICP-OES/AAS UV-Vis GC-MS

| | | | MDL | A13 | A14 |
|-----------|------|-------|-----|-----|-----|
| (Pb) | 1000 | mg/kg | 2 | 8 | 5 |
| (Hg) | 1000 | mg/kg | 2 | ND | ND |
| (Cd) | 100 | mg/kg | 2 | ND | ND |
| (Cr(VI)) | 1000 | mg/kg | 8 | ND | ND |
| (PBB) | 1000 | mg/kg | - | ND | ND |
| (MonoBB) | - | mg/kg | 25 | ND | ND |
| (DiBB) | - | mg/kg | 25 | ND | ND |
| (TriBB) | - | mg/kg | 25 | ND | ND |
| (TetraBB) | - | mg/kg | 25 | ND | ND |
| (PentaBB) | - | mg/kg | 25 | ND | ND |
| (HexaBB) | - | mg/kg | 25 | ND | ND |
| (HeptaBB) | - | mg/kg | 25 | ND | ND |
| (OctaBB) | - | mg/kg | 25 | ND | ND |
| (NonaBB) | - | mg/kg | 25 | ND | ND |
| (DecaBB) | - | mg/kg | | | |



CANEC24021252906

2024 10 09

3 7

| | | | MDL | A13 | A14 |
|--------------|------|-------|-----|-----|-----|
| (HeptaBDE) | - | mg/kg | 25 | ND | ND |
| (OctaBDE) | - | mg/kg | 25 | ND | ND |
| (NonaBDE) | - | mg/kg | 25 | ND | ND |
| (DecaBDE) | - | mg/kg | 25 | ND | ND |
| (2-) (DEHP) | 1000 | mg/kg | 50 | ND | ND |
| (BBP) | 1000 | mg/kg | 50 | ND | ND |
| (DBP) | 1000 | mg/kg | 50 | ND | ND |
| (DIBP) | 1000 | mg/kg | 50 | ND | ND |

- (1) RoHS (EU) 2015/863
- (2) IEC 62321 EN 62321
- (3) 2021 7 22 DEHP BBP DBP DIBP

ILAC-G8:09/2019

w=0



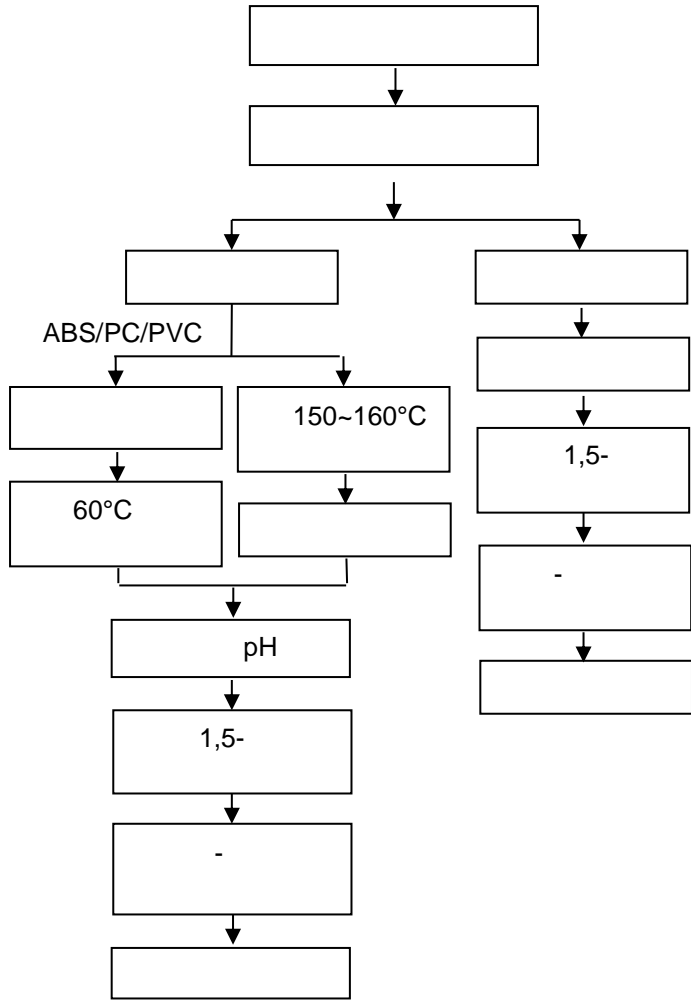
CANEC24021252906

2024 10 09

4 7

|

/





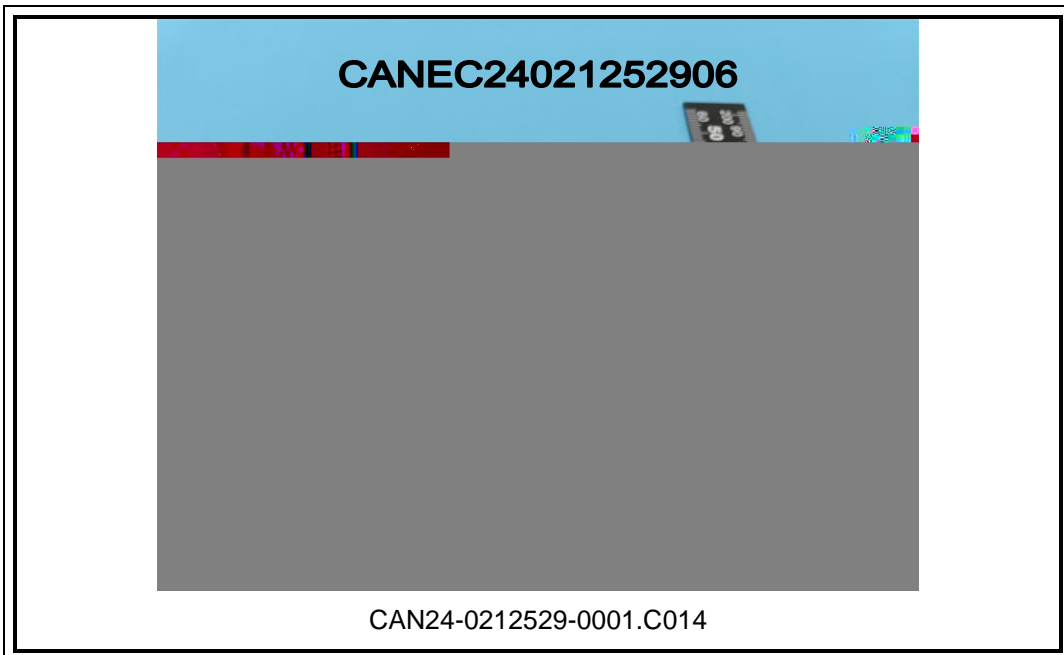
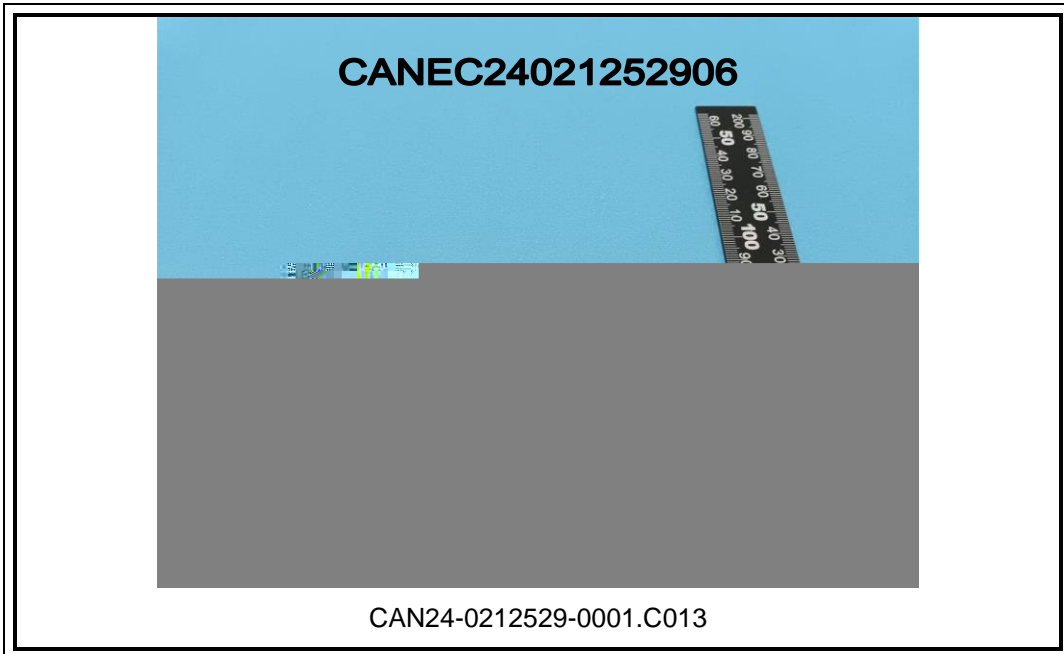
CANEC24021252906

2024 10 09

6 7

Unless otherwise agreed in writing, this document is issued by the Company subject to its General Conditions of Service n° 18-2023-01-01





SGS

*** **

